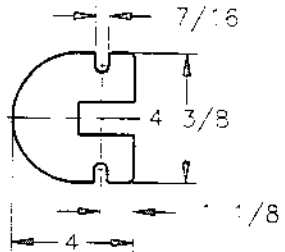
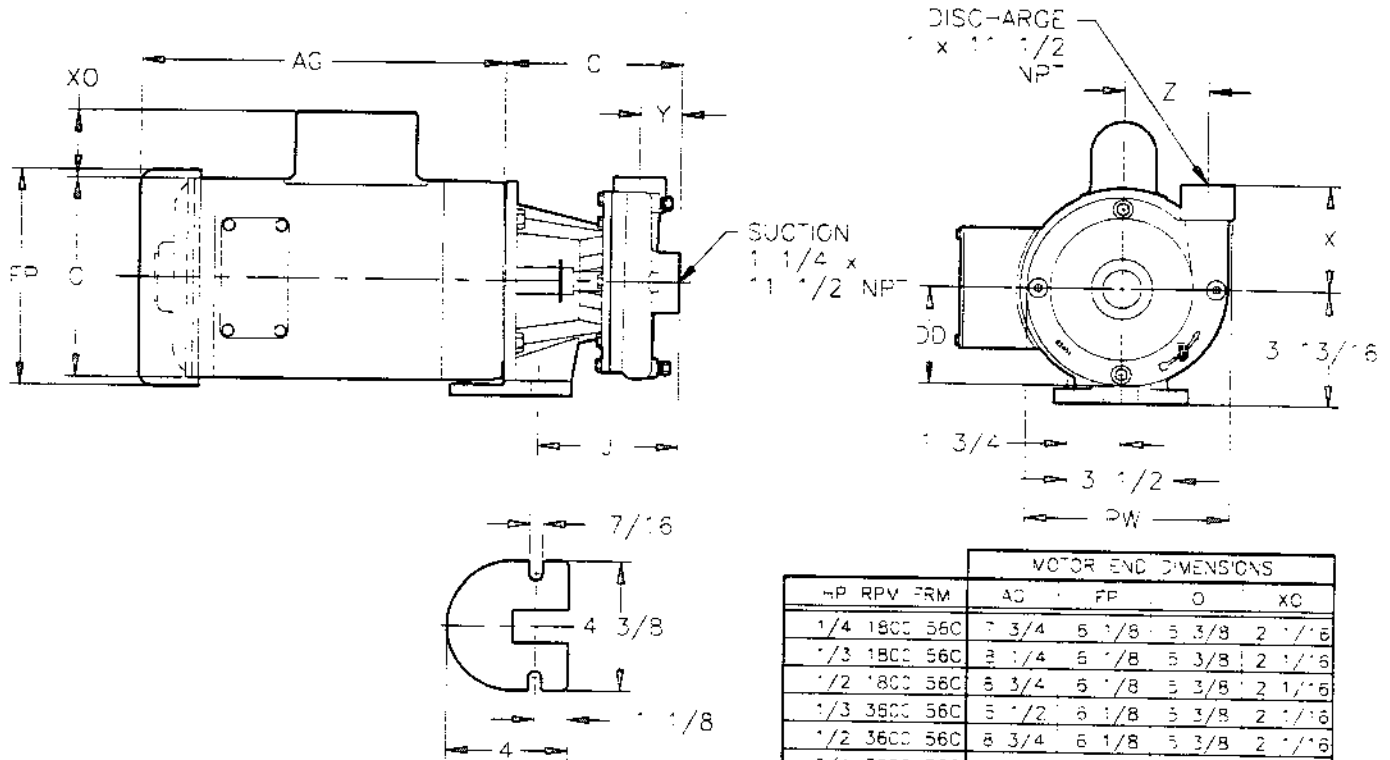




PRICE PUMP CO.

CD (AI, CIBF, AB) OUTLINE DRAWING

Effective: July 9, 1998



NOTE:
 MOTOR DIMENSIONS WILL VARY BY MODEL AND MAKE.
 DIMENSIONS ARE TO BE USED FOR REFERENCE ONLY.
 ALL DIMENSIONS HAVE BEEN ROUNDED TO THE NEAREST 1/16".

HP	RPM	FRM	MOTOR END DIMENSIONS			
			AG	FP	O	XC
1/4	1800	56C	7 3/4	6 1/8	5 3/8	2 1/16
1/3	1800	56C	8 1/4	6 1/8	5 3/8	2 1/16
1/2	1800	56C	8 3/4	6 1/8	5 3/8	2 1/16
1/3	3600	56C	8 1/2	6 1/8	5 3/8	2 1/16
1/2	3600	56C	8 3/4	6 1/8	5 3/8	2 1/16
3/4	3600	56C	9 1/4	6 1/8	5 3/8	2 1/16
1	3600	56C	9 3/4	6 1/8	5 3/8	2 1/16
1 1/2	3600	56C	10 1/2	7 3/16	6 7/8	2 1/4
2	3600	56C	11 1/8	7 3/16	6 7/8	2 1/4
3	3600	56C	12 3/8	7 3/16	6 7/8	2 1/4
5	3600	184C	13 5/8	8 1/2	7 7/8	2 1/4

	PUMP END DIMENSIONS							SUCTION	DISCH
	C	DD	PW	X	Y	Z	J		
CD100 C1	5 7/8	3 3/16	6 11/16	3 1/2	3/8	2 3/4	4 5/8	1 1/4	1"
CD150 C1	6 13/16	4 1/16	7 15/16	3 13/16	2 1/8	3 1/16	5 5/8	2"	1 1/2"

(O-CDAI-2.doc \Book\Outline 98)

Price® Pump Company

21775 8th Street East • P.O. Box Q • Sonoma, CA 95476-0329 • (707) 938-8441 • Fax (707) 938-0764