

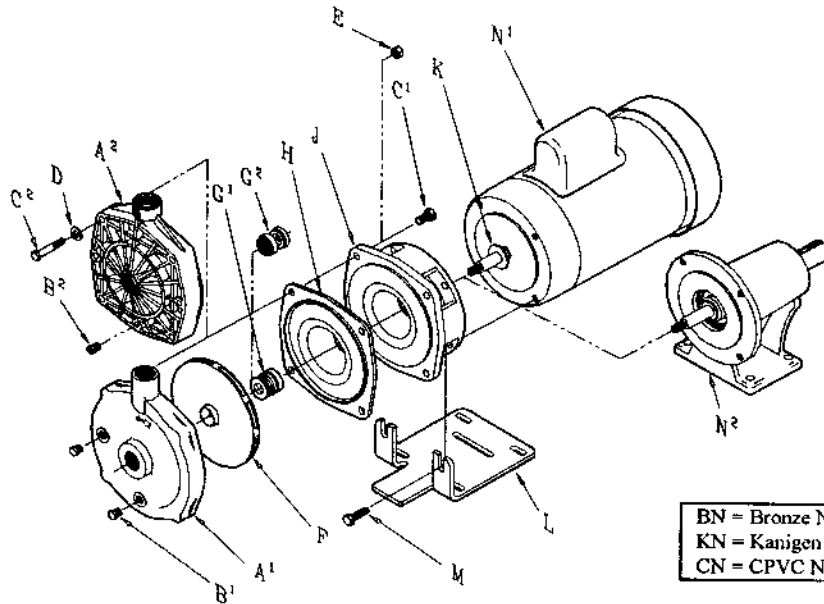


PRICE PUMP CO.



HP Parts List

Effective: October 31, 1996



BN = Bronze Nonmetallic
 KN = Kanigen Nonmetallic
 CN = CPVC Nonmetallic

		<u>HP75BN</u>	<u>HP75KN</u>	<u>HP75CN</u>
A.	Volute	0229 (A ¹)	0229KP (A ¹)	8300CP (A ²)
B.	1/8" Pipe Plug	0558 (B ¹) X2 rqd	0559 (B ¹) X2 rqd	8012PF (B ²) X1 rqd
C.	Volute Bolts (4 rqd)	0592 (C ¹)	0588 (C ¹)	1136 (C ²)
D.	Washers (4 rqd)	N/A	N/A	1137
E.	Volute Bolt Nuts (4 rqd)	N/A	N/A	1138
F.	Impeller CPVC for all HP75's		<u>All Models</u>	
	Size: 6.00"		0918-6.00	
	5.75"		0918-5.75	
	5.50"		0918-5.50	
	5.25"		0918-5.25	
	5.00"		0918-5.00	
	4.50"		0918-4.50	
	4.00"		0918-4.00	
	Seal with Seat:			
G1.	T.6 Buna (std)		0118	
G2.	Diplo T.36 Buna (opt)		0919HP	
H.	End Bell Gasket, EPR		0232	
I.	Bracket		0228	
K.	Slinger		0515	
L.	Base		0199	
M.	Motor Bolts: 2 each and 2 each		0583 0588	
N ¹ .	Motor - Specify P/N			
N ² .	Power Frame		0479	

HP Repair Parts Kits			
P/N	Includes	P/N	Includes
0661-8	4.00" Imp., EPR Gasket, and Slinger	0661-2	5.50" Imp., EPR Gasket, and Slinger
0661-5	4.50" Imp., EPR Gasket, and Slinger	0661-1	5.75" Imp., EPR Gasket, and Slinger
0661-4	5.00" Imp., EPR Gasket, and Slinger	0661	6.00" Imp., EPR Gasket, and Slinger
0661-3	5.25" Imp., EPR Gasket, and Slinger		

Note: Seal/Seat must be ordered in addition to repair kit.
 5/8" T.6 Buna seal std., 5/8" T.21 and T.36 seals (opt)

Price® Pump Company

21775 8th Street East ♦ P.O. Box Q ♦ Sonoma, CA 95476-0329 ♦ (707) 938-8441 ♦ Fax (707) 938-0764