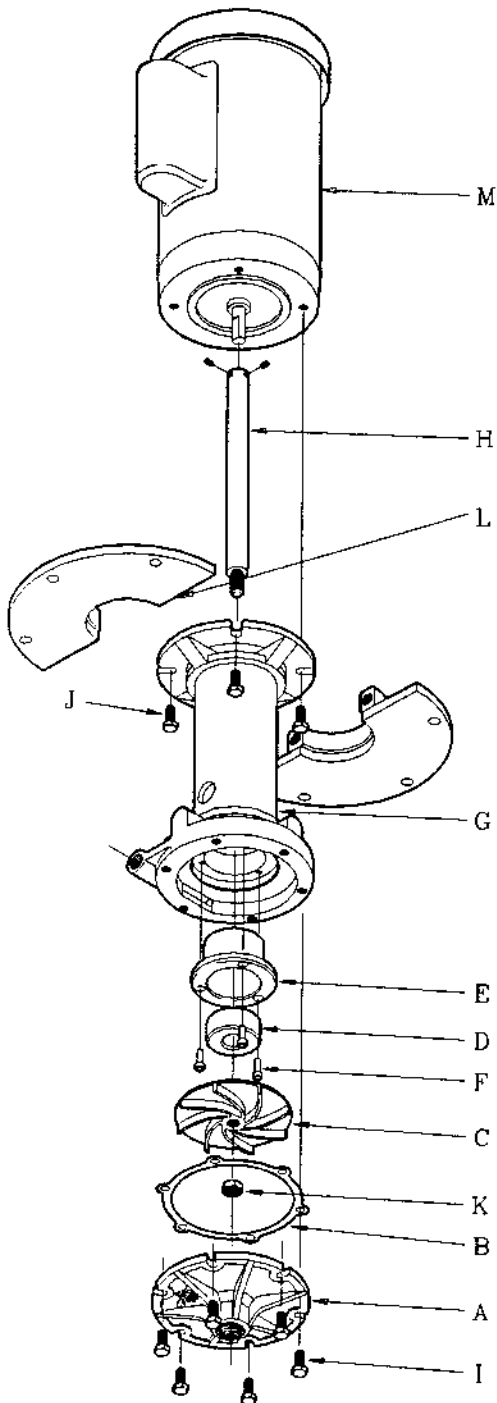




PRICE PUMP CO.

LT25V PARTS LIST

Effective: January 1, 1993



A.	Volute Cover	0313
B.	Gasket, PTFE	0318
C.	Impeller	0315V-3.34
D.	Bushing:	
	Carbon Graphitar (std)	0672
	Glass Filled PTFE (opt)	0691
	* Silicon Carbide (opt)	0730
	Bushing Plate for Silicon Carbide	0747ASC
	Pin SS for GFT & Silicon Carbide (1 rqd)	0727
E.	Bushing Plate	0747
F.	Bushing Plate Screw (3 rqd)	0256
G.	Column Assembly:	
	7 1/2" SS	0453
	13" SS	0454
	20" SS	0455
H.	Shaft w/ Setscrews:	
	7 1/2" SS	0316-3
	13" SS	0316-5
	20" SS	0316-7
	Shafts Include: 2 Cup Point Setscrews	0851
I.	Volute Bolts (6 rqd)	0917
J.	Motor Bolts (4 rqd)	0575
K.	Impeller Locknut	0897
L.	Mounting Plate Assembly (opt)	
	7" Round Steel	0909
	7" Round Stainless Steel	0910
	12 x 12 sq. Steel (not shown)	0903
	12 x 12 sq. Stainless Steel (not shown)	0904
M.	Motors - Specify P/N (See 42C Frames Below)	
	1/8HP, 1800 RPM, 1/60/115/230, TEFC	1608
	1/3HP, 3600 RPM, 1/60/115/230, DP	1438
	1/3HP, 3600 RPM, 1/50/60/100/200/115/230, TEFC	1439
	1/3HP, 3600 RPM, 3/50/60/220/440/230/460, TEFC	1440
	1/3HP, 3600 RPM, 1/50/60/115/230, X-P	1441
	1/3HP, 3600 RPM, 3/50/60/220/440/230/460, X-P	1442

* Note: If using an optional silicon carbide bushing, the shaft must be tungsten coated - Contact Factory

SS = Stainless Steel

(LT25Vpr4.doc)

Price® Pump Company

21775 8th Street East ♦ P.O. Box Q ♦ Sonoma, CA 95476-0329 ♦ (707) 938-8441 ♦ Fax (707) 938-0764