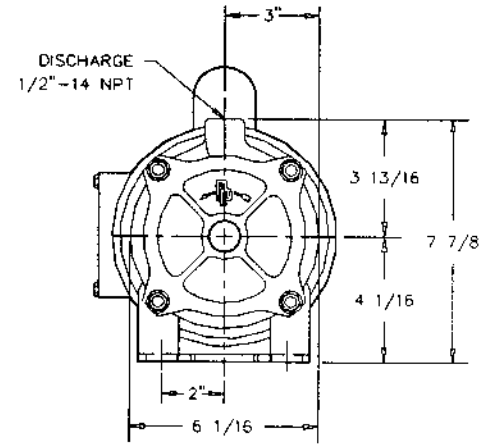
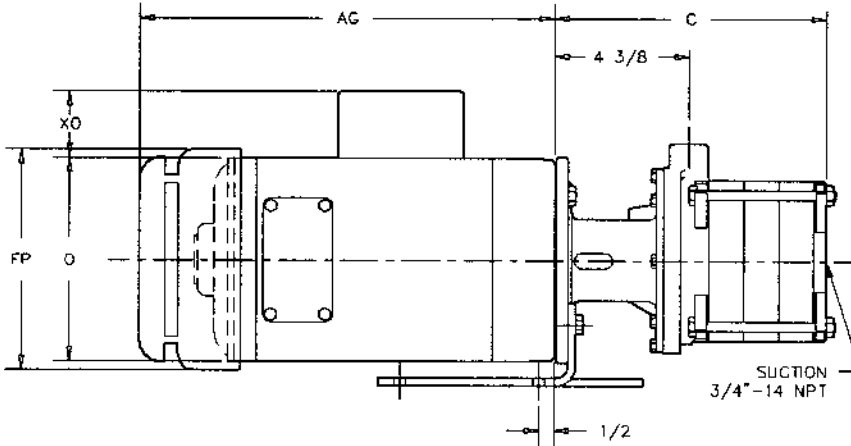




PRICE PUMP CO.

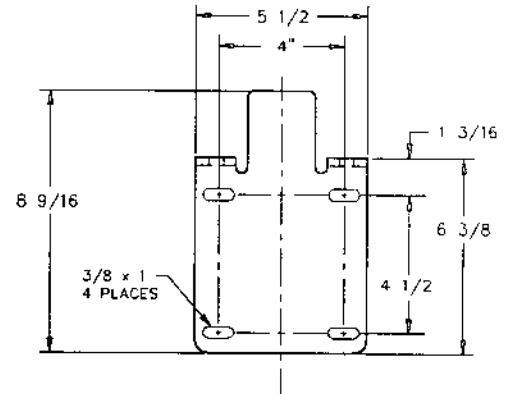
MS50SS OUTLINE DRAWING

Effective: January 1, 1993



HP	RPM	FRM	MOTOR END DIMENSIONS			
			AG	FP	O	X0
1/4	1800	56C	7 3/4	6 1/8	5 3/8	2 1/16
1/3	1800	56C	8 1/4	6 1/8	5 3/8	2 1/16
1/2	1800	56C	8 3/4	6 1/8	5 3/8	2 1/16
1/3	3600	56C	8 1/2	6 1/8	5 3/8	2 1/16
1/2	3600	56C	8 3/4	6 1/8	5 3/8	2 1/16
3/4	3600	56C	9 1/4	6 1/8	5 3/8	2 1/16
1	3600	56C	9 3/4	6 1/8	5 3/8	2 1/16
1 1/2	3600	56C	10 1/2	7 3/16	6 7/8	2 1/4
2	3600	56C	11 1/8	7 3/16	6 7/8	2 1/4
3	3600	56C	12 3/8	7 3/16	6 7/8	2 1/4
5	3600	184C	13 5/8	8 1/2	7 7/8	2 1/4

PUMP LENGTH: (IN INCHES)		
MODEL	STAGES	C
1MS50-SS-33	1 STAGE	5 3/8
2MS50-SS-75	2 STAGE	6 1/2
3MS50-SS-100	3 STAGE	7 5/8
4MS50-SS-150	4 STAGE	8 3/4
5MS50-SS-200	5 STAGE	9 7/8
6MS50-SS-300	6 STAGE	11



NOTE:

1. MOTOR DIMENSIONS WILL VARY BY MODEL AND MAKE. DIMENSIONS ARE TO BE USED FOR REFERENCE ONLY.
2. ALL DIMENSIONS ARE ROUNDED TO THE NEAREST SIXTEENTH OF AN INCH.

Price® Pump Company

21775 8th Street East ♦ P.O. Box Q ♦ Sonoma, CA 95476-0329 ♦ (707) 938-8441 ♦ Fax (707) 938-0764