

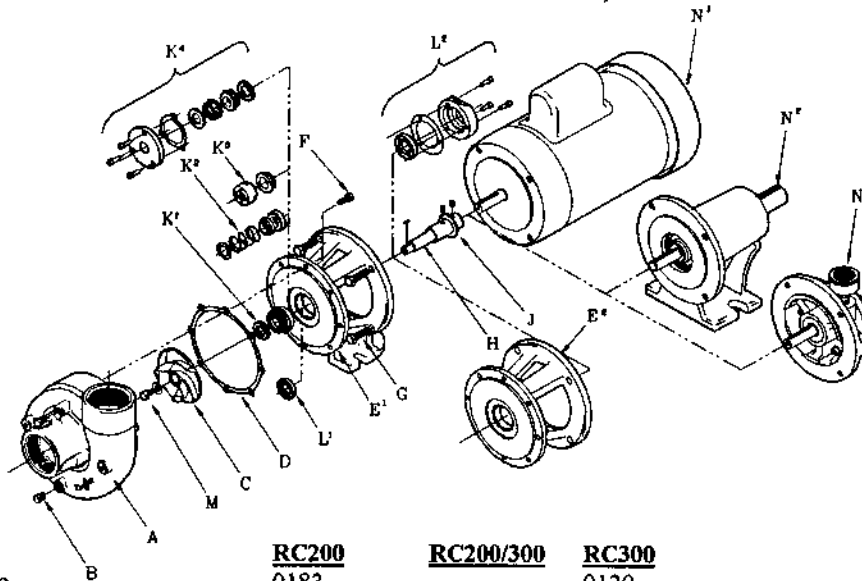


PRICE PUMP CO.



RC PARTS LIST
Keyed Impeller Version

Effective: June 24, 1996



	<u>RC200</u>	<u>RC200/300</u>	<u>RC300</u>
A. Volute	0183		0120
B. 1/8" Pipe Plugs (2 rqd)		0557	
C. Impeller Specify diameter **			
All Iron (Keyed)	4184-dia		4230-dia
CIBF (Keyed)	4128-dia		4119-dia
D. Gasket, Syn Fiber		0506	
E1. Bracket with Foot		2426	
E2. Optional Bracket without Foot		2428	

	<u>RC200/300</u>
F. Volute Bolts (8 rqd)	0573
G. Motor Bolts (4 rqd)	0588
H. Shaft w/ setscrews (56C motor) 5/8" ID (Keyed)	2421-1
Optional Shaft w/ setscrews 7/8" ID (Keyed) (For 143TC, 145TC, 182C, 184C motors)	2422-1
J. Slinger (For 5/8" shaft pumps only)	0522
Seal with Seat:	
K1. T.6A Buna (std)	0538
K2. T.21 Fluorocarbon (opt)	0553
K3. T.9 PTFE (opt)	1150

	<u>RC200/300</u>
K4. Double Seal/Seat (opt):	
T.21 Fluorocarbon (2 rqd)	0985
T.21 Neoprene (2 rqd)	0984
T.21 EPR (2 rqd)	1023
Double Seal Plate	0973
Plate Gasket, PTFE	0974
Seal Plate Cover Bolts (3 rqd)	0256
L1. T.6A Quench Lip Seal, Fluorocarbon	0899
L2. T.21 Quench Opt (For 5/8" shaft pumps only)	
Quench Plate	0308
Plate Gasket, Syn Fiber	0504
Plate Bolts (3 rqd)	0267
Fluorocarbon Lip Seal	0891
M. Impeller Lockdown	0917
Impeller Lockdown Key	2424
Impeller Lockdown Washer	2423
N1. Motor - Specify P/N	
Note: For 5 HP 184C or other footed motors, Use Footless Bracket PN 2428	
N2. Power Frames	
For use with 5/8" ID Shaft	5478
For use with 7/8" ID Shaft	5501
N3. Air Motor - Specify P/N	

** Double seal pumps use double seal impellers, for example 4184DS-dia.

RC Repair Parts Kit

P/N 2204 for 56C 5/8" Keyed shaft
P/N 2204-1 for 56C 7/8" Keyed shaft
Includes: Gasket Syn. Fiber, Keyed Shaft w/ SS, Slinger
Impeller Lockdown, Impeller Lockdown Washer, Impeller Key
For Threaded Repair kits See Threaded Version Parts List
Note: Seal/Seat must be ordered in addition to kit.
5/8" T.6A Buna Seal (std). Options: 5/8" T.21 Single seal and T.21 Double seal. 5/8" Double T.9 not available.

See RC Threaded Impeller Version Parts List for RC Pumps ordered before May, 1995, (with Threaded impellers).

(RCParts3.doc Book 97)

Price® Pump Company

21775 8th Street East • P.O. Box Q • Sonoma, CA 95476-0329 • (707) 938-8441 • Fax (707) 938-0764