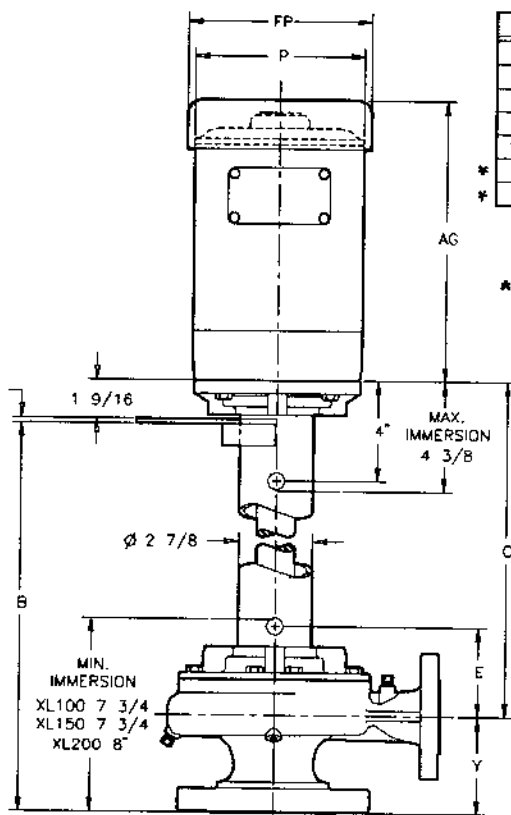




PRICE PUMP CO.

"X" SERIES - FLANGED VERTICAL  
STAINLESS STEEL OUTLINE DRAWING

Effective: May 23, 1995

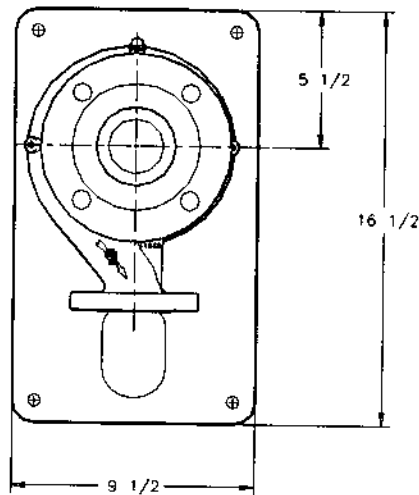
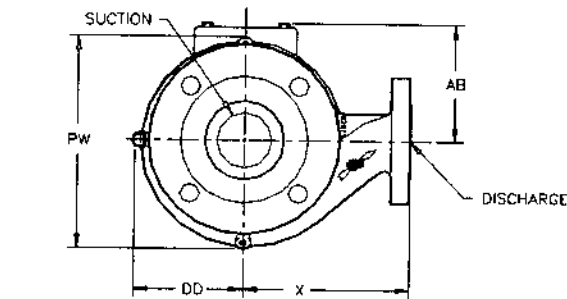


JM MOTOR END DIMENSIONS TEFC (VERT)						
HP	RPM	FRM	AG	FP	P	AB
1 1/2	3600	143JM	11 1/4	6 7/8	6 1/2	5 1/4
2	3600	145JM	11 1/4	6 7/8	6 1/2	5 1/4
3	3600	145JM	11 1/4	6 7/8	6 1/2	5 1/4
5	3600	182JM	13 13/16	8 7/16	6 1/2	5 7/8
7 1/2	3600	184JM	15 5/16	8 7/16	6 1/2	5 7/8
* 10	3600	215JM	14 7/16	10 3/16	9 9/16	7 3/8
* 15	3600	215JM	14 7/16	10 3/16	9 9/16	7 3/8

NOTE:  
MOTOR DIMENSIONS WILL VARY BY MODEL AND MAKE,  
DIMENSIONS ARE TO BE USED FOR REFERENCE ONLY.

\* 10 and 15 HP Motors are BALDOR 215JM with  
184 Faces - Made for Price Pump Company Only

COLUMNS	COLUMN DIMENSIONS			
	B	C	E	
XL100-V	13.00	15 3/4	13 1/2	3 9/16
	20.00	22 3/4	20 1/2	
	32.00	34 3/4	32 1/2	
	44.00	46 3/4	44 1/2	
XL150-V	13.00	15 3/4	13 1/2	3 9/16
	20.00	22 3/4	20 1/2	
	32.00	34 3/4	32 1/2	
	44.00	46 3/4	44 1/2	
XL200-V	13.00	16 1/16	13 13/16	3 13/16
	20.00	23 1/16	20 13/16	
	32.00	35 1/16	32 13/16	
	44.00	47 1/16	44 13/16	



	PUMP END DIMENSIONS				ANSI FLANGE 150#	
	DD	PW	X	Y	SUCTION	DISCHARGE
XL 1 x 1-1/2 x 6	4 1/16	8"	6 1/2	4"	1-1/2"	1"
XL 1-1/2 x 3 x 6	4 3/8	8 3/8	6 1/2	4"	3"	1-1/2"
XL 2 x 3 x 6	4 3/8	8 3/4	8 1/4	4"	3"	2"

NOTE: ALL DIMENSIONS HAVE BEEN ROUNDED TO NEAREST 1/16"

(O-XVFla3/book Outline 95)

Price® Pump Company

21775 8th Street East ♦ P.O. Box Q ♦ Sonoma, CA 95476-0329 ♦ (707) 938-8441 ♦ Fax (707) 938-0764