

MODEL AOD2

**FEATURES**

- **Stall-Free Design**—Our "posi-shift", tandem spool air distribution valve insures reliable operation in all types of low pressure and start/stop applications. Plus, fewer parts and no o-rings result in easier maintenance.
- **Oil-less operation**—No metal to metal wearing surfaces. State-of-the-art materials and precision-manufacturing techniques combine to provide the industry's original completely oil-less design. This design means: no oil misting into the environment no unhealthy working conditions no oil, lubricants or grease to contaminate your products. Our oil-less design results in lower operating and maintenance costs. This design has been field proven, working trouble-free since its introduction over 15 years ago.
- **Externally Serviceable Air Valve**—No need to disassemble the pump for routine maintenance. The air valve can be quickly and easily maintained with minimal downtime.
- **Quiet Operation**—Air valve design minimizes exhaust noise providing a significantly quieter work environment.
- **Variety of Elastomers**—AOD® pumps can be assembled with the elastomer that matches your application; Neoprene, Buna-N, Nordel®, Teflon®, Santoprene® and Viton® are all available.
- **Plastic Air Valve Body**— Models up to 1 1/2" incorporate plastic air valve bodies for greater corrosion resistance in aggressive environments.

Note: Stainless Steel models are not sanitary rated, but may be used in certain sanitary applications.

**AOD®**

Metallic Models  
**AOD2**

Patented lubrication-free, stall-free design.

Clean, safe and reliable pumping.

**Sizes**

Discharge x Suction x Air Inlet.  
AOD2 - 2" x 2" x 3/4" NPT

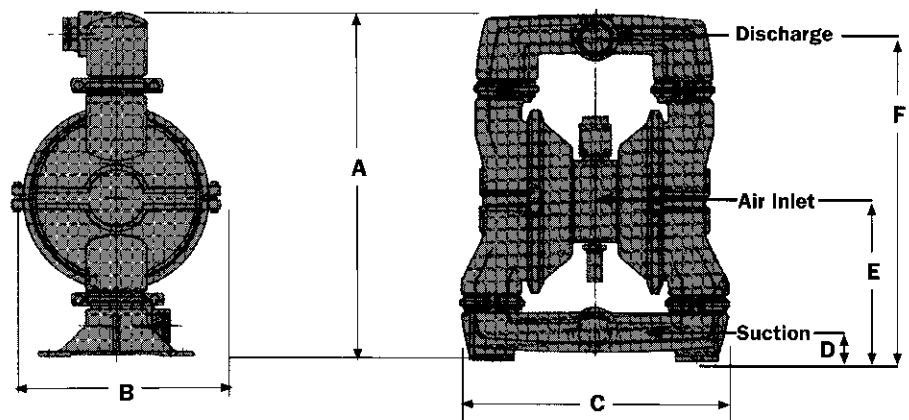
**Materials**

Aluminum  
Stainless Steel  
Cast Iron

**Applications**

- AIRCRAFT INDUSTRY
- AUTOMOTIVE
- BEVERAGE INDUSTRY
- CHEMICAL AND PETROLEUM
- GLASS AND FIBERGLASS
- MARINE
- METAL AND STEEL
- MINE AND CONSTRUCTION
- PAINT
- PAPER AND WOOD

MODEL AOD2



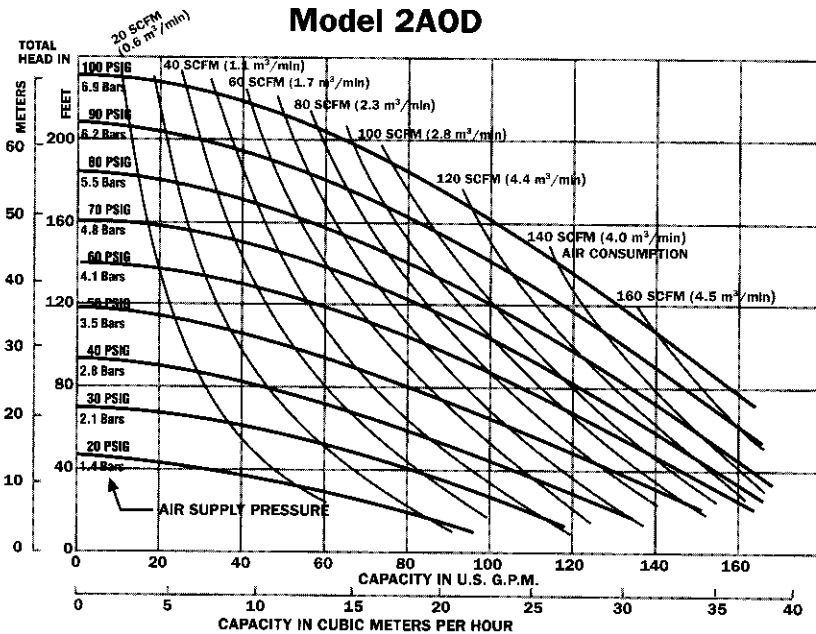
MODEL	Aluminum AOD2-Axxx	Stainless Steel AOD2-Sxxx AOD2-Sxxx-B	Cast Iron AOD2-Cxxx AOD2-Cxxx-B
<b>SUCTION (BOTTOM)</b>	2" MNPT	2" FNPT, BSP	2" FNPT, BSP
<b>DISCHARGE (TOP)</b>	2" MNPT	2" FNPT, BSP	2" FNPT, BSP
<b>A</b> Inches (mm)	24 5/16 (618)	24 5/16 (618)	24 5/8 (625)
<b>B</b> Inches (mm)	14 3/8 (365)	14 3/8 (365)	14 3/8 (365)
<b>C</b> Inches (mm)	18 3/4 (476)	18 3/4 (476)	17 7/8 (454)
<b>Air inlet size</b>	3/4" NPT	3/4" NPT	3/4" NPT
<b>D Suction Dimension</b> Inches (mm)	2 3/16 (56)	2 3/16 (56)	2 (51)
<b>E Air Inlet Dimension</b> Inches (mm)	17 7/16 (443)	17 7/16 (443)	18 (457)
<b>F Discharge Dimension</b> Inches (mm)	22 1 1/16 (576)	22 3/4 (578)	22 15/16 (583)

\*AOD® is a registered trademark of Price® Pump Co.; Viton® and Nordel® are registered trademarks of Dupont Dow Elastomers; Teflon® is registered trademark of Dupont; Santoprene is a registered trademark of Monsanto Company.



**PRICE PUMP CO.**

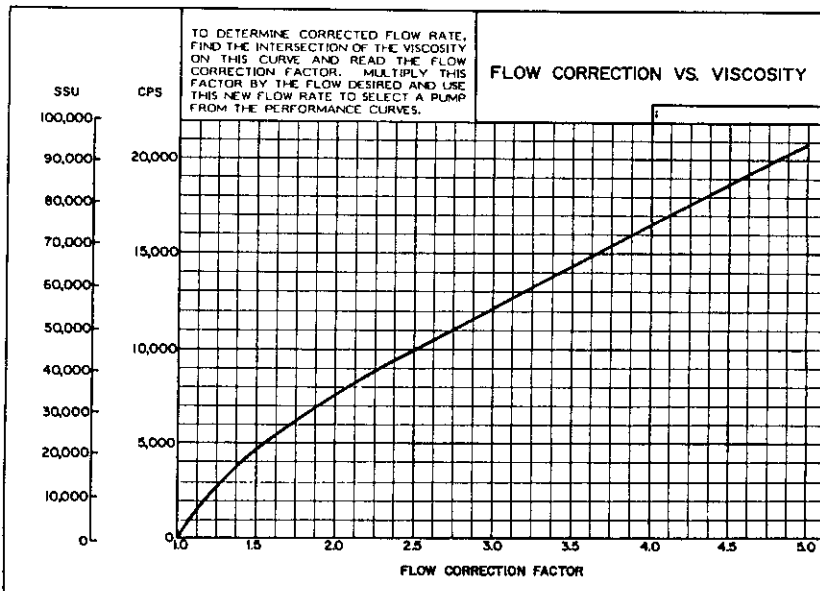
## Model 2A0D



The performance curves shown and other published literature reflect an average performance for all materials and all elastomers, including Teflon®. No derating of the performance is necessary for Teflon® fitted pumps.

Technical Data		MODEL A002
Maximum flow GPM (litres per minute)		170 (643)
Displacement/Stroke Gal (litres)		.85 (3.2)
Elastomer Diaphragms		Teflon® Diaphragms
Max Air Inlet Pressure PSI (bar)		125 (8.8)
Max Spherical Solids Size IN (mm)		3/8 (9.5)
High Temperature Limit °F (°C)		180(82)
Low Temperature Limit °F (°C)		32 (0)
Shipping Weight Lbs (kg)		
	Aluminum	96 (43.5)
	Stainless Steel	165 (74.8)
	Cast Iron	161 (73)

Elastomer Kits	
<b>MATERIAL</b>	<b>P/N</b>
Neoprene	44-809-00
Buna-N	44-809-10
Viton®	44-809-20
Nordel	44-809-30
Teflon® Aluminum	46-305-60
Teflon® Stainless Steel	46-395-60
Teflon® Cast Iron	46-430-56



Materials of Construction	
Air valve housing	aluminum
Air chambers	aluminum
Spool Housing	aluminum
Pump external finish	enamel blue paint
Valve type	elastomeric ball

Suction Lifts				
Elastomer type (Material)	dry prime		wet prime	
	FT	metres	FT	metres
Standard (Cl, Alum, S.S.)	20	6.1	22	6.7
Teflon® (Alum, S.S.)	12	3.7	20	6.1



# PRICE PUMP CO.

21775 Eight St. East, P.O. Box Q

Sonoma, CA 95476-0329

(800) 345-PUMP

(707) 938-8441 FAX: (707) 938-0764

www.pricepump.com

e-mail: sales@pricepump.com

