

MODEL AOD.5-P

FEATURES

- **Stall-Free Design**—Our "posi-shift", tandem spool air distribution valve insures reliable operation in all types of low pressure and start/stop applications. Plus, fewer parts and no o-rings result in easier maintenance.
- **Oil-less operation**—No metal to metal wearing surfaces. State-of-the-art materials and precision-manufacturing techniques combine to provide the industry's original completely oil-less design. This design means: no oil misting into the environment no unhealthy working conditions no oil, lubricants or grease to contaminate your products. Our oil-less design results in lower operating and maintenance costs. This design has been field proven, working trouble-free since its introduction over 15 years ago.
- **Externally Serviceable Air Valve**—No need to disassemble the pump for routine maintenance. The air valve can be quickly and easily maintained with minimal downtime.
- **Quiet Operation**—Air valve design minimizes exhaust noise providing a significantly quieter work environment.
- **Variety of Elastomers**—AOD® pumps can be assembled with the elastomer that matches your application: Neoprene, Buna-N, Nordel®, Teflon®, Santoprene® and Viton® are all available.

AOD®

Non-Metallic Models
AOD.5-P

Patented lubrication-free,
stall-free design.

Clean, safe and reliable
pumping.

Sizes

Discharge x Suction x Air Inlet.
AOD.5-P - 1/2" x 1/2" x 3/8" NPT

Wetted Materials

Pump Body
Polypropylene

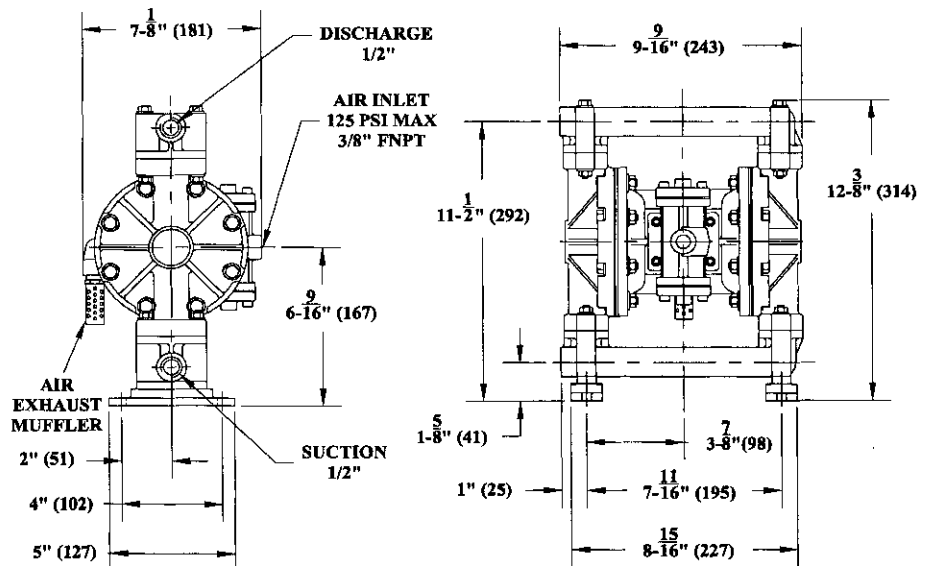
Elastomers

- Neoprene
- Buna-N
- Viton®
- Nordel®
- Teflon®
- Santoprene®

Applications

- AIRCRAFT INDUSTRY
- AUTOMOTIVE
- BEVERAGE INDUSTRY
- CHEMICAL AND PETROLEUM
- GLASS AND FIBERGLASS
- MARINE
- METAL AND STEEL
- MINE AND CONSTRUCTION
- PAINT
- PAPER AND WOOD

MODEL AOD.5-P



NOTE: DIMENSIONS ARE IN INCHES AND (MILLIMETRES).

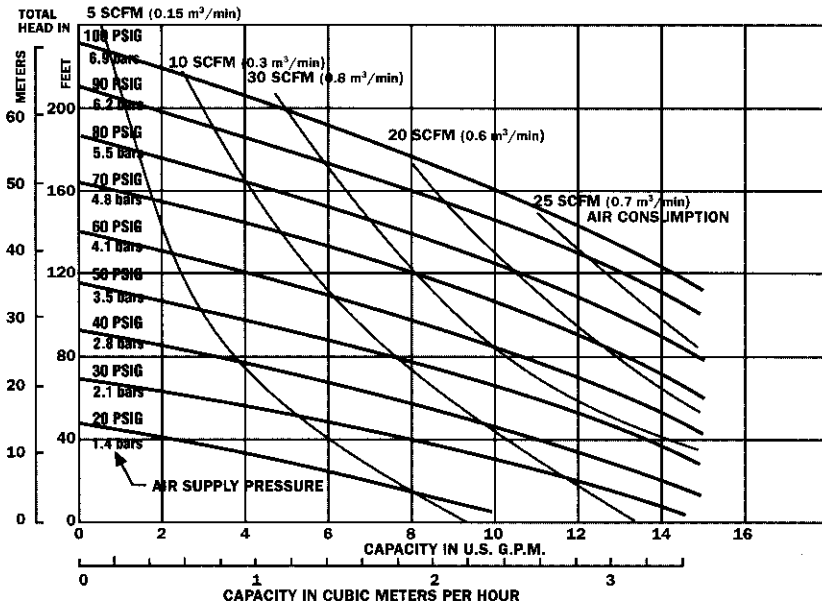
MODEL	SUCTION (BOTTOM)	DISCHARGE (TOP)	AIR INLET
Poly-propylene AOD.5-Pxxx	1/2" FNPT	1/2" FNPT	3/8" NPT
Poly-propylene AOD.5-Pxxx-B	1/2" BSP	1/2" BSP	3/8" NPT

*AOD® is a registered trademark of Price® Pump Co.; Viton® and Nordel® are registered trademarks of Dupont Dow Elastomers; Teflon® is registered trademark of Dupont; Santoprene is a registered trademark of Monsanto Company.

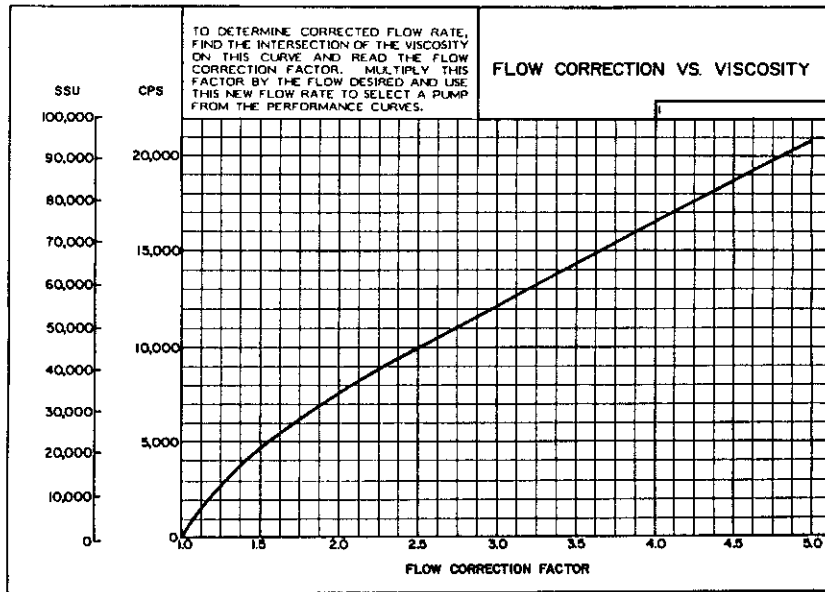


PRICE PUMP CO.

Model AOD.5-P



The performance curves shown and other published literature reflect an average performance for all materials and all elastomers, including Teflon®. No derating of the performance is necessary for Teflon® fitted pumps.



Technical Data MODEL AOD.5-P	
Maximum flow GPM (litres per minute)	15 (57)
Displacement/Stroke Gal (litres)	
Elastomer Diaphragms	.016 (0.06)
Teflon® Diaphragms	.014 (0.05)
Max Air Inlet Pressure PSI (bar)	125 (8.8)
Max Spherical Solids Size IN (mm)	1/8 (3.2)
High Temperature Limit °F (°C)	150 (65)
Low Temperature Limit °F (°C)	32 (0)
Shipping Weight Lbs (kg)	
Polypropylene	11 (5.0)

Elastomer Kits	
MATERIAL	P/N
Neoprene	46-440-00
Buna-N	46-440-10
Viton®	46-440-20
Nordel	46-440-30
Santoprene®	46-440-60
Teflon®	46-440-55

Materials of Construction	
Air valve housing	Polypropylene-glass filled
Air chambers	Polypropylene-glass filled
Spool Housing	electroless nickel coated aluminum
Pump external finish	Polypropylene-glass filled
Valve type	elastomeric ball

Suction Lifts				
Elastomer type	dry prime		wet prime	
	FT	metres	FT	metres
Standard	13	4.0	21	6.4
Teflon®	13	4.0	21	6.4



PRICE PUMP CO.

21775 Eight St. East, P.O. Box Q

Sonoma, CA 95476-0329

(800) 345-PUMP

(707) 938-8441 FAX: (707) 938-0764

www.pricepump.com

e-mail: sales@pricepump.com

