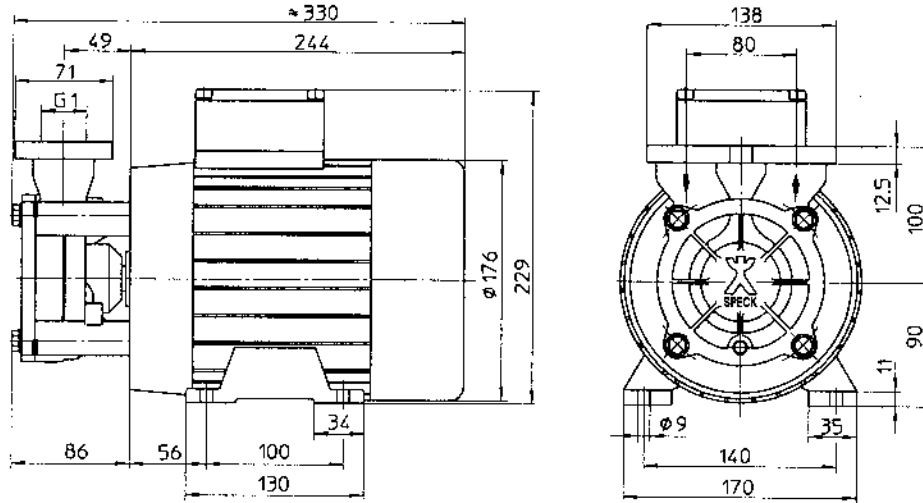
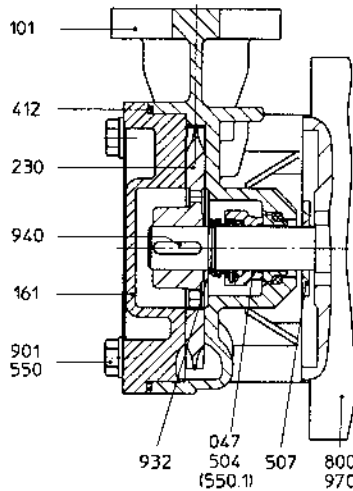


**Kleinkreiselpumpe**  
**CY-5091**  
 normalsaugend

**small centrifugal pump**  
**CY-5091**  
 normal priming



<b>Wellendichtung:</b>	Gleitringdichtung			<b>shaft sealing:</b>	mechanical seal		
<b>Werkstoffe:</b>	Gehäuse	CuSn	(1.4581)	<b>materials:</b>	casing	bronze	(stainless steel)
	Gehäusedeckel	CuSn	(1.4581)		casing cover	bronze	(stainless steel)
	Laufrad	CuZn	(1.4408)		impeller	brass	(stainless steel)
<b>Anschlüsse:</b>	G 1			<b>connections:</b>	G 1		
<b>Motor:</b>	1,5 kW; 2800/3400 1/min; Drehstrommotor			<b>motor:</b>	2 HP; 2800/3400 rpm three-phase motor		
<b>Gewicht:</b>	14,2 kg			<b>weight:</b>	31 lbs		



- |       |                   |                        |
|-------|-------------------|------------------------|
| 047   | Gleitringdichtung | mechanical seal        |
| 101   | Gehäuse           | casing                 |
| 161   | Gehäusedeckel     | casing cover           |
| 230   | Laufrad           | impeller               |
| 412   | Runddichtring     | O-ring                 |
| 504   | Kegelhülse        | sleeve                 |
| 507   | Spritzring        | splash ring            |
| 550   | Scheibe           | disk                   |
| 550.1 | Scheibe           | disk                   |
| 800   | Motor             | motor                  |
| 901   | 6-kt. Schraube    | hexagon head cap screw |
| 932   | Sicherungsring    | locking ring           |
| 940   | Passfeder         | feather key            |
| 970   | Typenschild       | name plate             |

