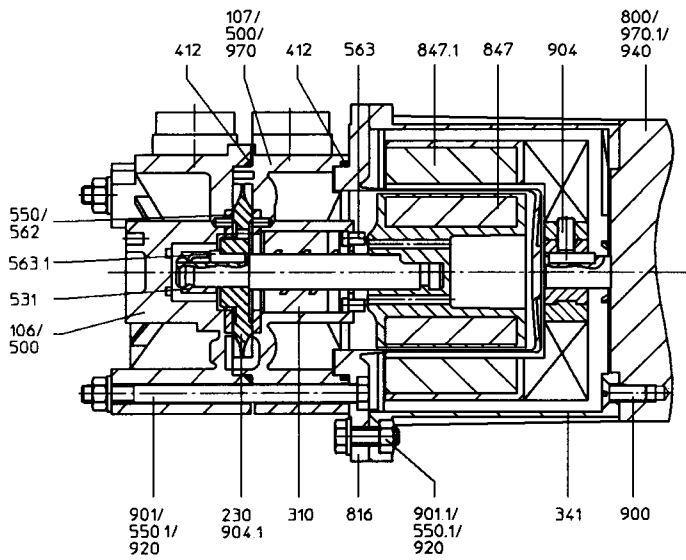


Antrieb:

Wechselstrommotor,
 Drehstrommotor,
 Gleichstrommotor auf Anfrage

drive:

single-phase motor,
 three-phase motor,
 DC-motor upon request



- | | | |
|-------|---------------|--------------------|
| 106 | Sauggehäuse | suction casing |
| 107 | Druckgehäuse | discharge casing |
| 230 | Lauftrad | impeller |
| 310 | Gleitlager | sleeve bearing |
| 341 | Laterne | bracket |
| 412 | O-Ring | O-ring |
| 500 | Ring | ring |
| 531 | Spannhülse | clamping sleeve |
| 550 | Scheibe | disk |
| 550.1 | Scheibe | disk |
| 562 | Zylinderstift | cylindrical pin |
| 563 | Bolzen | bolt |
| 563.1 | Bolzen | bolt |
| 800 | Motor | motor |
| 816 | Spaltröhrtopf | can |
| 847 | Innenmagnet | inner magnet |
| 847.1 | Außenmagnet | outer magnet |
| 900 | Schraube | screw |
| 901 | 6-kt.Schraube | hexagon head screw |
| 901.1 | 6-kt.Schraube | hexagon head screw |
| 904 | Gewindestift | set screw |
| 904.1 | Gewindestift | set screw |
| 920 | 6-kt.Mutter | hexagon nut |
| 940 | Paßfeder | key |

