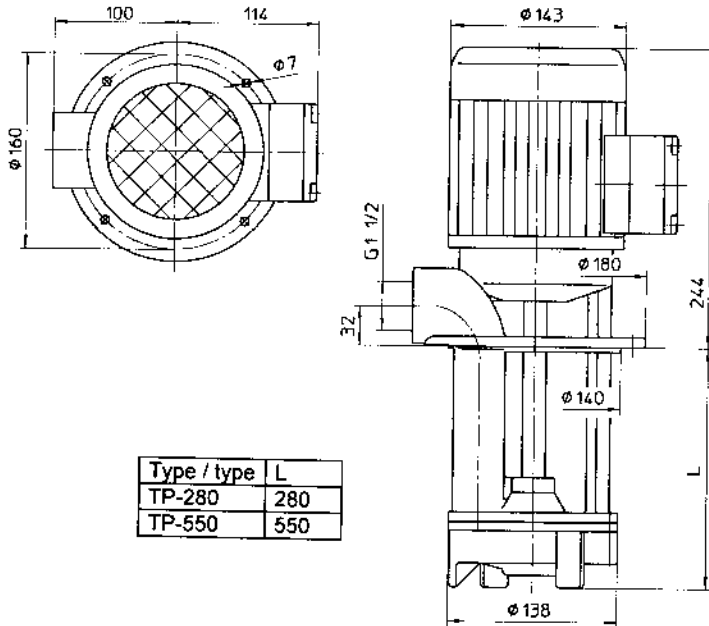


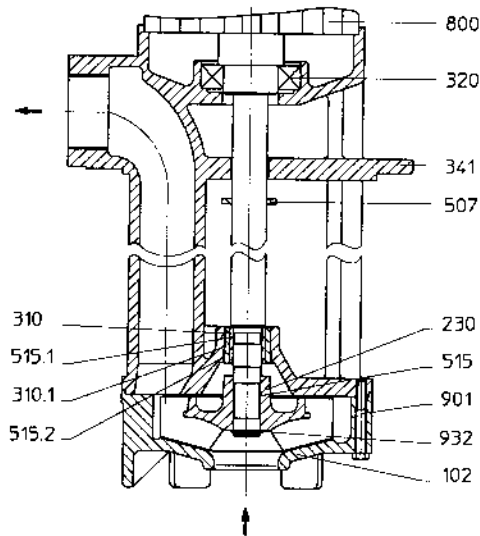
**Tauchpumpe
TP-280/550**

**submersible pump
TP-280/550**



Einbaulage:	vertikal	
Werkstoffe:	Laterne	CuSn
	Saugdeckel	CuSn
	Laufrad	CuSn
Anschluss:	Druck - G 1 1/2	
Motor:	1,1 kW Drehstrommotor 2800/3400 1/min; Wechselstrommotor auf Anfrage	
Gewicht:	19,5 kg TP-280 / 22,8 kg TP-550	

mounting position:	vertical	
materials:	bracket	bronze
	suction cover	bronze
	impeller	bronze
connection:	discharge - G 1 1/2	
motor:	1.5 HP three-phase motor 2800/3400 rpm; single-phase motor upon request	
weight:	43 lbs TP-280 / 50 lbs TP-550	



- | | | |
|-------|----------------|------------------------|
| 102 | Spiralgehäuse | spiral casing |
| 230 | Laufrad | impeller |
| 310 | Gleitlager | sleeve bearing |
| 310.1 | Gleitlager | sleeve bearing |
| 320 | Kugellager | ball bearing |
| 341 | Laterne | bracket |
| 507 | Spritzring | splash ring |
| 515 | Toleranzring | tolerance ring |
| 515.1 | Toleranzring | tolerance ring |
| 515.2 | Toleranzring | tolerance ring |
| 800 | Motor | motor |
| 901 | 6-kt. Schraube | hexagon head cap screw |
| 932 | Sicherungsring | locking ring |

