

# VECTOR SERIES PERISTALTIC PUMPS

## MODEL 2007

### Features

- Dry pump cavity
- Self-priming operation
- Runs dry without damage
- Complete isolation of pumped fluid
- Heavy-duty roller bearings
- Wide range of pump configurations/flows
- No cups, packing or seals
- Low maintenance
- Reversible flow

### Industries Served by Vector Series Pumps

- Waste water and water treatment
- Chemical processing
- Petrochemicals
- Pulp and paper
- Ceramics
- Mining
- Paints and coatings
- Dairy processing
- Pharmaceuticals
- Cosmetics



### Materials of Construction

#### Non-Wetted Parts

Casing: aluminum alloy

Rotor: aluminum alloy

Rollers: plastic/alloy

#### Wetted Parts

Hose:

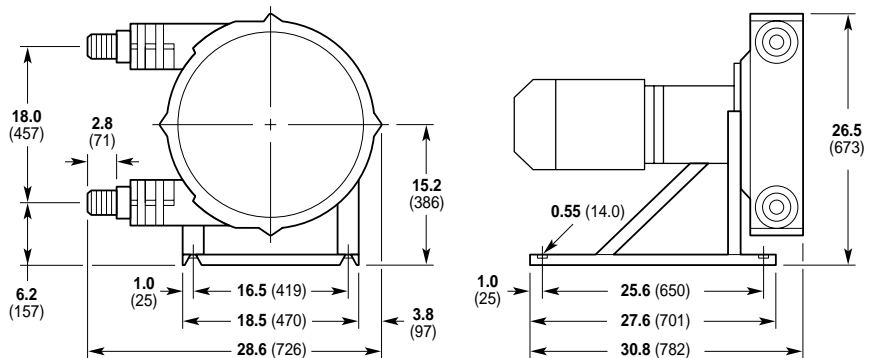
EXTRUDED– Varprene

BRAIDED– Hypalon, Nitrile rubber,  
Natural rubber (regular and heavy duty)

Inlet/Outlet Connections: Teflon or  
stainless steel hose barb, stainless steel  
or carbon steel ANSI flange, Teflon NPT,  
and stainless steel sanitary tri-clamp

### Dimensions

inches (mm)

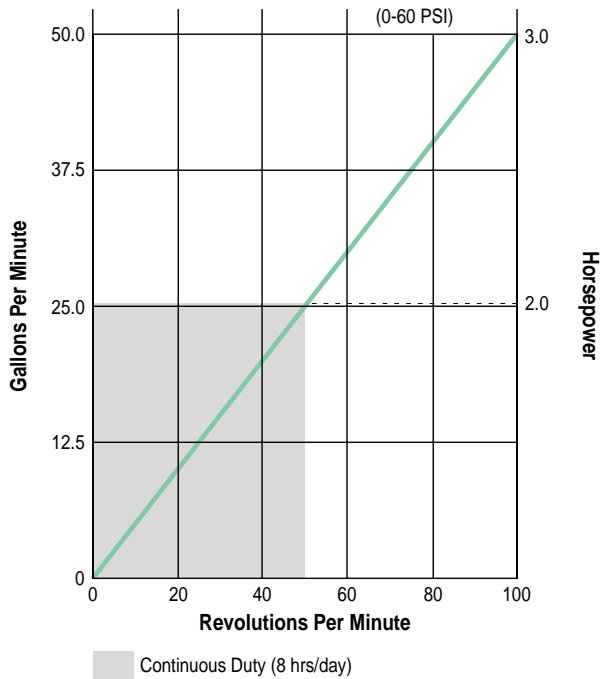


1204 Chestnut Avenue, Minneapolis, MN 55403 USA

(612) 332-5681 FAX (612) 332-6937

Toll Free FAX (USA only) (800) 332-6812

Email: [sales@wannereng.com](mailto:sales@wannereng.com) Website: [www.vectorpump.com](http://www.vectorpump.com)



## Fluid Characteristics

<b>Viscosity</b>	15,000 cps (max)
<b>Liquid Temperature</b>	180°F (82° C) (max)
<b>Solid Size</b>	1/4 inch (6.3 mm) (max)
<b>Fiber Length</b>	1/2 inch (12.7 mm) (max)

## Specifications

<b>Discharge Pressure</b>	60 psi (4.1 bar) max
<b>Suction Lift</b>	20 ft (6.1 m)
<b>Suction Pressure (max)</b>	25 psi (1.7 bar)
<b>Horsepower (max)<sup>1</sup></b>	3
<b>Hose Size</b>	45 x 75 x 1455 mm
<b>Displacement</b>	0.51 gal/rev
<b>Weight</b>	185 lbs (84 kg)

<sup>1</sup> Pumps are shaft driven and require a gearbox and motor. See Ordering Information for details.

## Ordering Information

A complete Vector pump order number uses a 9 character order code to identify the desired hose, fittings and drive. Select the appropriate items from the chart below and use the order code from each group to complete the pump assembly order number.

1	2	0	0	7	-	5	6	-	7	8	-	9	10
---	---	---	---	---	---	---	---	---	---	---	---	---	----

Order Digit	Order Code	Description
<b>1-4</b>	<b>2007</b>	<b>Pump Designation</b> Model 2007 Shaft Drive Pump
<b>5-6</b>		<b>Hose Material/Type</b>
	BF	Nitrile Rubber, fiber-braided
	EF	EPDM, fiber-braided
	HF	Hypalon, fiber-braided
	MF	Natural Rubber, fiber-braided (heavy duty)
	NF	Natural Rubber, fiber-braided
	VE	Varprene, extruded
<b>7-8</b>		<b>Connector Material/Style</b>
	AA	Teflon, 2" hose barb
	BB	316 SST, 2" ANSI flange
	CC	316 SST, Sanitary, 2" tri-clamp
	DD	Carbon Steel, 2" ANSI flange
	EE	Carbon Steel, 2" male NPT
	HH	Teflon, 2" male NPT
	SS	316 SST, 2-1/4" hose barb
<b>9-10</b>		<b>Drive</b>
		<b>Flow Gear Pump Max</b>
		<b>GPM Ratio RPM PSI</b>
		<b>3Ø, 1-1/2 BHP TEFC, 230-460 VAC, 60 Hz</b>
		<b>4:1 Constant Torque Speed Range</b>
	B2	7.1 121:1 14 60
	D2	10.5 82:1 21 60
		<b>3Ø, 2 BHP TEFC, 230-460 VAC, 60 Hz</b>
		<b>4:1 Constant Torque Speed Range</b>
	F2	15.3 58:1 30 60
	H2	20.4 43:1 40 60
	J2	25.8 33:1 51 50
		<b>3Ø, 3 BHP TEFC, 230-460 VAC, 60 Hz</b>
		<b>3:1 Constant Torque Speed Range</b>
	L2	40.5 21:1 80 38
	A	No Drive



**Wanner Engineering, Inc.**

1204 Chestnut Avenue, Minneapolis, MN 55403 USA  
 (612) 332-5681 FAX (612) 332-6937

Toll Free FAX (USA only) (800) 332-6812

Email: sales@wannereng.com Website: www.vectorpump.com