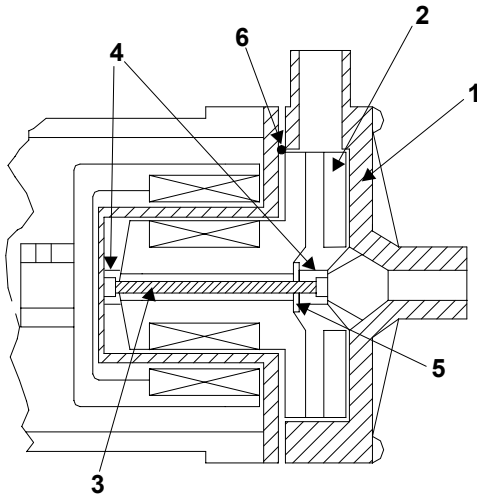




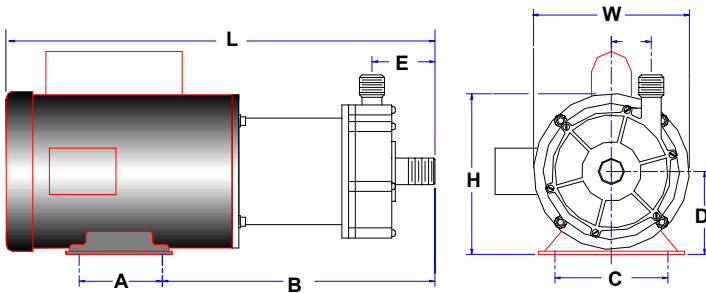
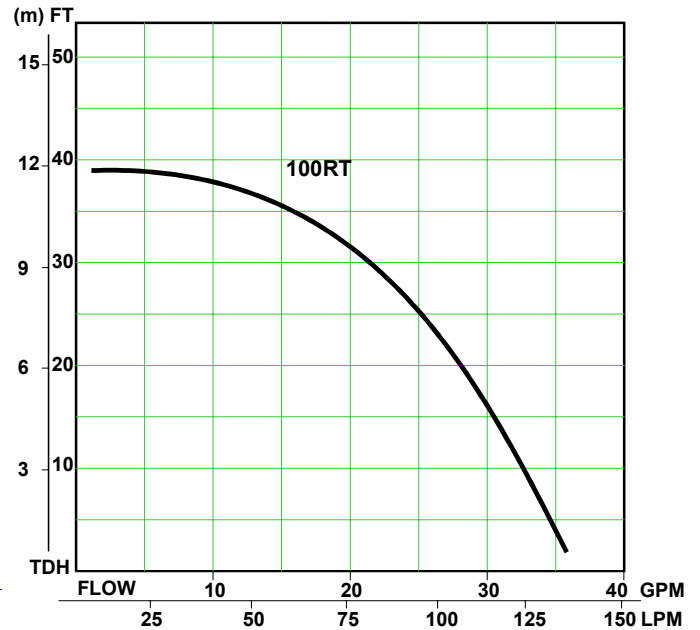
**IWAKI WALCHEM Corporation**

# WMD-100



- Twin bearing system handles thrust loads, extends service life
- Hollow rotating spindle / Internal cooling circuit reduces bearing temperature
- Compact / Quiet energy efficient design
- Few moving parts for easy maintenance
- Other sizes, voltages & materials available

Part	Material
1 Casing	GFRPP
2 Impeller	GFRPP or CFRPP
3 Spindle	Ceramic
4 Bearing	PTFE
5 Thrust ring	Ceramic or PE
6 O-ring	FKM or EPDM



## Dimensions (inches) and Specifications

Model	W	H	L	A	B	C	D	E	F
WMD-100R(T)	6.60	6.80	*	3.00	12.05	4.88	3.50	2.55	1.71

\* Varies with motor manufacturer

Model	CONNECTIONS		MOTOR		AMPS 115V	MAX FLOW GPM	MAX HEAD FT	MAX SYS PRESSURE PSI	S.G.	WEIGHT LBS
	HOSE	NPTM	OUTPUT (HP)	SPEED (RPM)						
WMD-100	1	1	1/3	3600	3.4*	35.6	39.0	25.6	1.2	*