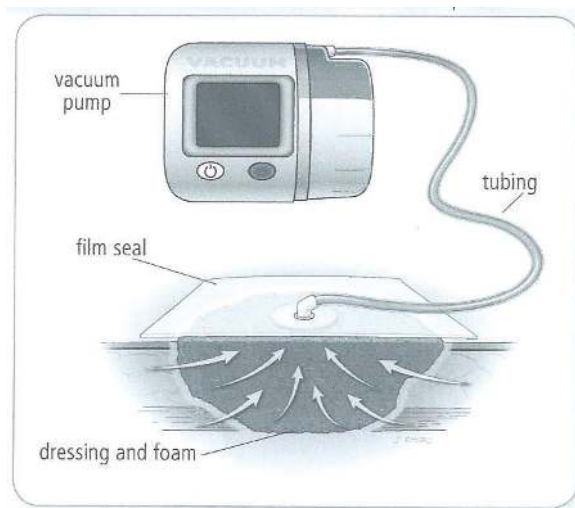


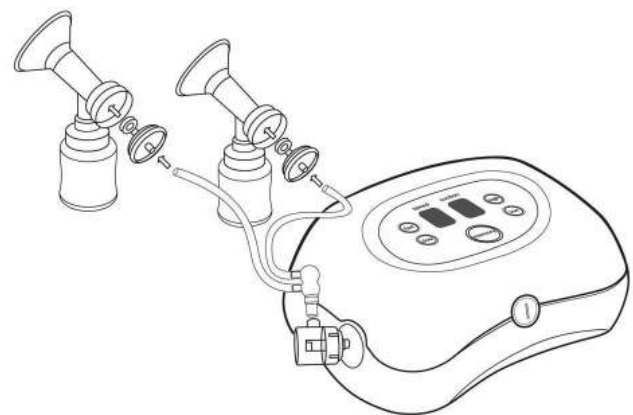
APN-031 Low Voltage DC Gas Diaphragm Pump for Personal Therapy and Home Care Devices



The New APN-031 (4.5VDC) pump is compact and reliable. With flow rates up to 1.5 l/min, vacuum capacity to 74.66 kPa · abs (-3.81 psi), and discharge pressures to 0.027 Mpa (3.9 PSI) the Iwaki APN-031 pump provides performance ideal for low voltage applications such as Negative Pressure Wound Therapy and Breast Feeding Systems.



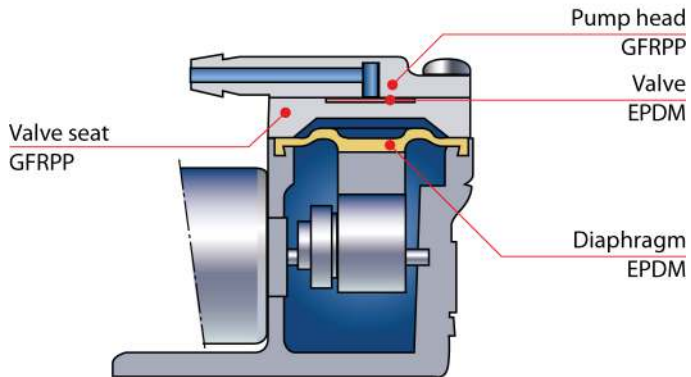
Negative Pressure Wound Therapy



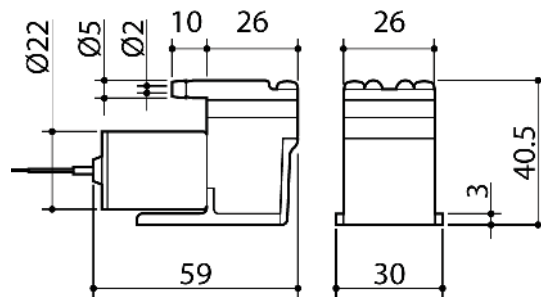
Breast Feeding Systems



Materials



Dimensions (in mm)



Performance

